

**FEATURES**

- Double Side Cooling
- High Surge Capability

**KEY PARAMETERS**

$V_{RRM}$	<b>3400V</b>
$I_{F(AV)}$	<b>6140A</b>
$I_{FSM}$	<b>84400A</b>

**VOLTAGE RATINGS**

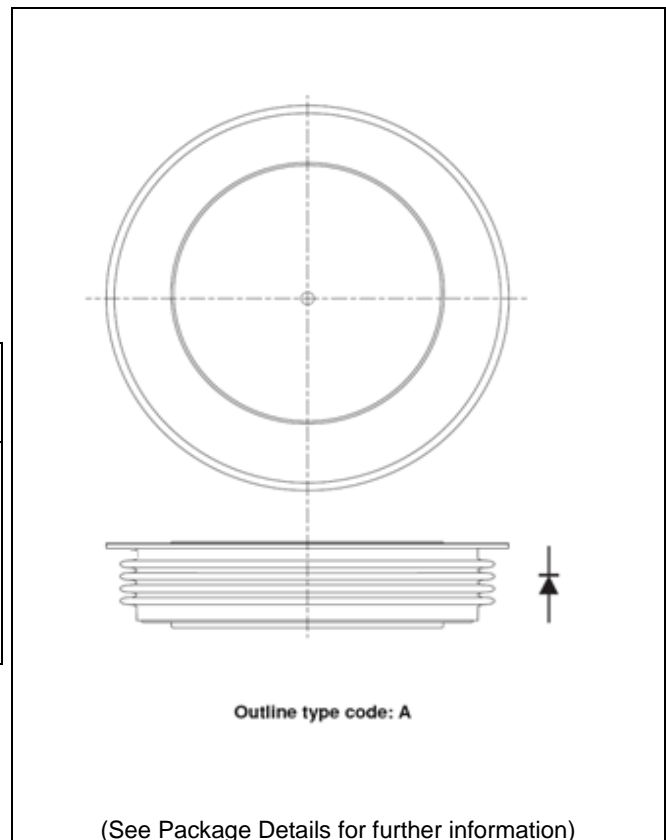
Part and Ordering Number	Repetitive Peak Voltages $V_{RRM}$ V	Conditions
DRD6140A34	3400	$V_{RSM} = V_{RRM} + 100V$
DRD6140A32	3200	
DRD6140A30	3000	
DRD6140A28	2800	
DRD6140A26	2600	
DRD6140A24	2400	

**ORDERING INFORMATION**

When ordering, select the required part number shown in the Voltage Ratings selection table.

For example:

**DRD6140A34** for a 3400V device



**Fig. 1 Package outline**

## CURRENT RATINGS

$T_{case} = 75^{\circ}\text{C}$  unless stated otherwise

Symbol	Parameter	Test Conditions	Max.	Units
<b>Double Side Cooled</b>				
$I_{F(AV)}$	Mean forward current	Half wave resistive load	7730	A
$I_{F(RMS)}$	RMS value	-	12140	A
$I_F$	Continuous (direct) on-state current	-	10930	A

$T_{case} = 100^{\circ}\text{C}$  unless stated otherwise

Symbol	Parameter	Test Conditions	Max.	Units
<b>Double Side Cooled</b>				
$I_{F(AV)}$	Mean forward current	Half wave resistive load	6140	A
$I_{F(RMS)}$	RMS value	-	9640	A
$I_F$	Continuous (direct) on-state current	-	8680	A

## SURGE RATINGS

Symbol	Parameter	Test Conditions	Max.	Units
$I_{FSM}$	Surge (non-repetitive) on-state current	10ms half sine, $T_{case} = 160^{\circ}\text{C}$	84.4	kA
$I^2t$	$I^2t$ for fusing	$V_R = 0$	35.62	$\text{MA}^2\text{s}$

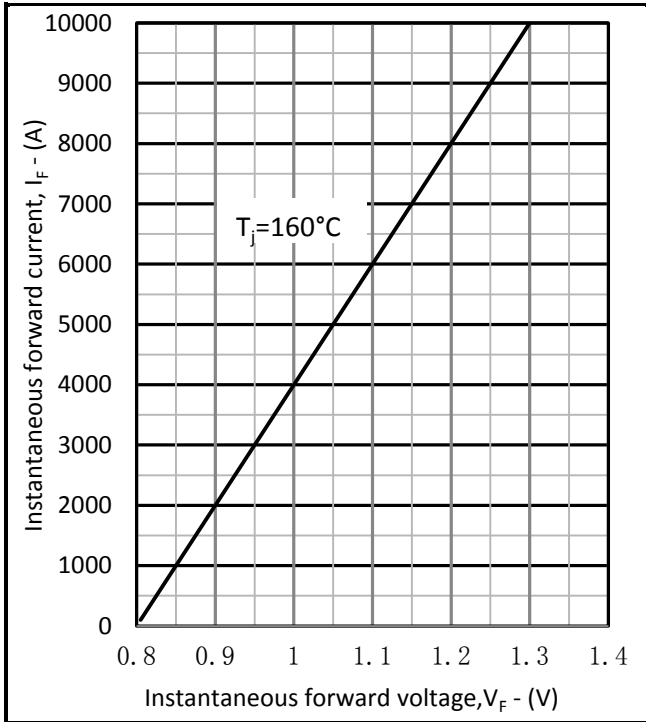
**THERMAL AND MECHANICAL RATINGS**

Symbol	Parameter	Test Conditions		Min.	Max.	Units
$R_{th(j-c)}$	Thermal resistance – junction to case	Double side cooled	DC	-	0.0057	°C/W
$R_{th(c-h)}$	Thermal resistance – case to heatsink	Double side cooled	DC	-	0.0015	°C/W
$T_{vj}$	Virtual junction temperature	Blocking $V_{DRM} / V_{RRM}$		-40	160	°C
$T_{stg}$	Storage temperature range			-40	160	°C
$F_m$	Clamping force			80	100	kN

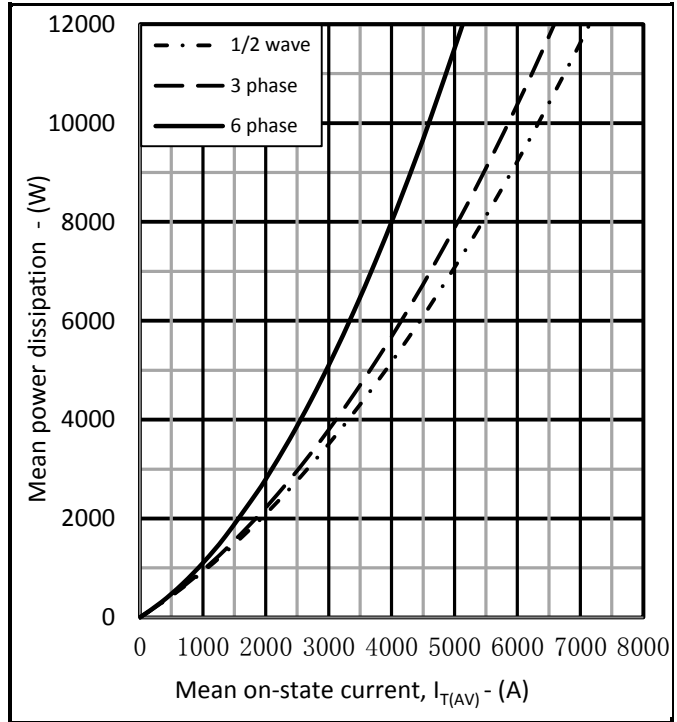
**CHARACTERISTICS**

Symbol	Parameter	Test Conditions	Min.	Max.	Units
$V_{FM}$	Forward voltage	At 6000A peak, $T_{case} = 160^{\circ}C$	-	1.10	V
$I_{RM}$	Peak reverse current	At $V_{DRM}$ , $T_{case} = 160^{\circ}C$	-	400	mA
$Q_S$	Total stored charge	$I_F = 4000A$ , $di_{RR}/dt = 10A/\mu s$ $T_{case} = 160^{\circ}C$ , $V_R = 100V$	-	7000	$\mu C$
$V_{TO}$	Threshold voltage	At $T_{vj} = 160^{\circ}C$	-	0.80	V
$r_T$	Slope resistance	At $T_{vj} = 160^{\circ}C$	-	0.05	$m\Omega$

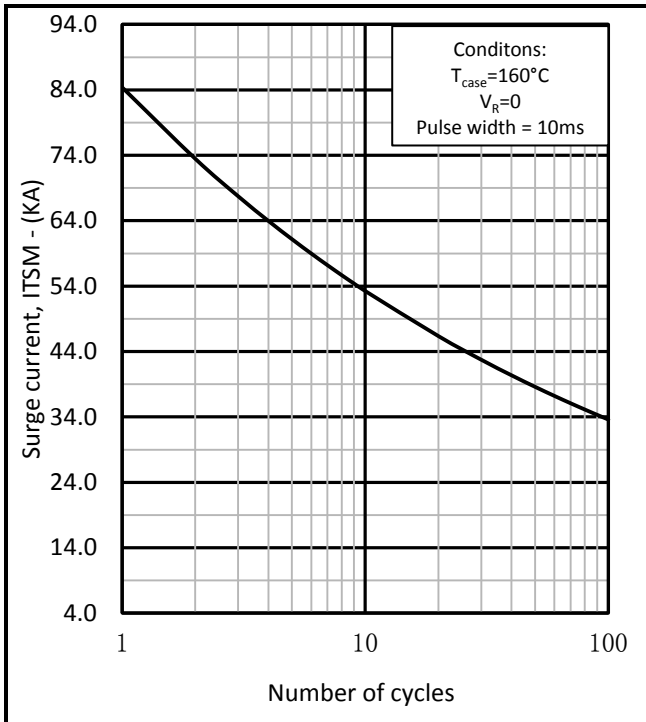
**CURVES**



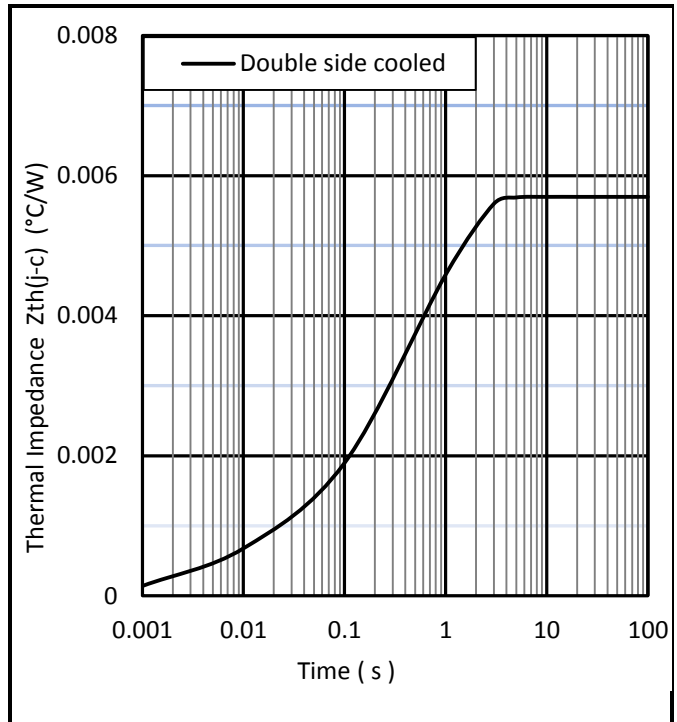
**Fig.2 Maximum forward characteristics**



**Fig.3 Dissipation curves**



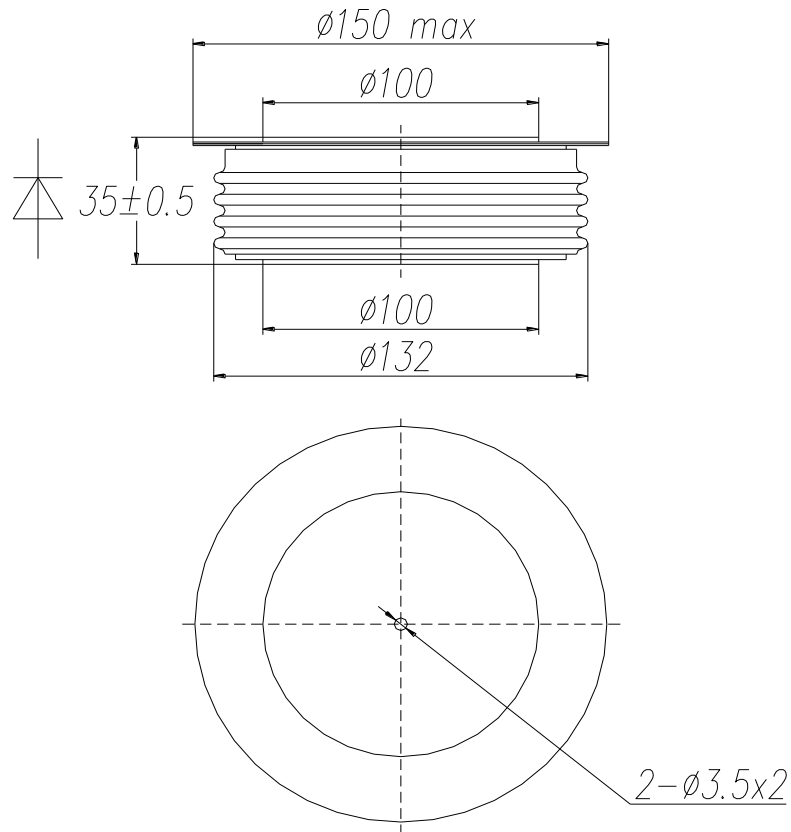
**Fig.4 Surge (Non-Repetitive) Forward current vs time**



**Fig.5 Maximum (limit) transient thermal impedance- junction to case**

**PACKAGE DETAILS**

For further package information, please contact Customer Services. All dimensions in mm, unless stated otherwise. DO NOT SCALE.



**Package outline type code: A**

**Note:**  
Some packages may be supplied with gate and or tags.

**IMPORTANT INFORMATION:**

This publication is provided for information only and not for resale.

The products and information in this publication are intended for use by appropriately trained technical personnel.

Due to the diversity of product applications, the information contained herein is provided as a general guide only and does not constitute any guarantee of suitability for use in a specific application. The user must evaluate the suitability of the product and the completeness of the product data for the application. The user is responsible for product selection and ensuring all safety and any warning requirements are met. Should additional product information be needed please contact Customer Service.

Although we have endeavoured to carefully compile the information in this publication it may contain inaccuracies or typographical errors. The information is provided without any warranty or guarantee of any kind.

This publication is an uncontrolled document and is subject to change without notice. When referring to it please ensure that it is the most up to date version and has not been superseded.

The products are not intended for use in applications where a failure or malfunction may cause loss of life, injury or damage to property. The user must ensure that appropriate safety precautions are taken to prevent or mitigate the consequences of a product failure or malfunction.

The products must not be touched when operating because there is a danger of electrocution or severe burning. Always use protective safety equipment such as appropriate shields for the product and wear safety glasses. Even when disconnected any electric charge remaining in the product must be discharged and allowed to cool before safe handling using protective gloves.

Extended exposure to conditions outside the product ratings may affect reliability leading to premature product failure. Use outside the product ratings is likely to cause permanent damage to the product. In extreme conditions, as with all semiconductors, this may include potentially hazardous rupture, a large current to flow or high voltage arcing, resulting in fire or explosion. Appropriate application design and safety precautions should always be followed to protect persons and property.

**Product Status & Product Ordering:**

We annotate datasheets in the top right hand corner of the front page, to indicate product status if it is not yet fully approved for production. The annotations are as follows:-

<b>Target Information:</b>	This is the most tentative form of information and represents a very preliminary specification. No actual design work on the product has been started.
<b>Preliminary Information:</b>	The product design is complete and final characterisation for volume production is in progress. The datasheet represents the product as it is now understood but details may change.
<b>No Annotation:</b>	The product has been approved for production and unless otherwise notified by Dynex any product ordered will be supplied to the <b>current version of the data sheet prevailing at the time of our order acknowledgement.</b>

All products and materials are sold and services provided subject to Dynex's conditions of sale, which are available on request.

Any brand names and product names used in this publication are trademarks, registered trademarks or trade names of their respective owners.

**HEADQUARTERS OPERATIONS**

DYNEX SEMICONDUCTOR LIMITED  
Doddington Road, Lincoln, Lincolnshire, LN6 3LF  
United Kingdom.  
Phone: +44 (0) 1522 500500  
Fax: +44 (0) 1522 500550  
Web: <http://www.dynexsemi.com>

**CUSTOMER SERVICE**

Phone: +44 (0) 1522 502753 / 502901  
Fax: +44 (0) 1522 500020  
e-mail: [power\\_solutions@dynexsemi.com](mailto:power_solutions@dynexsemi.com)